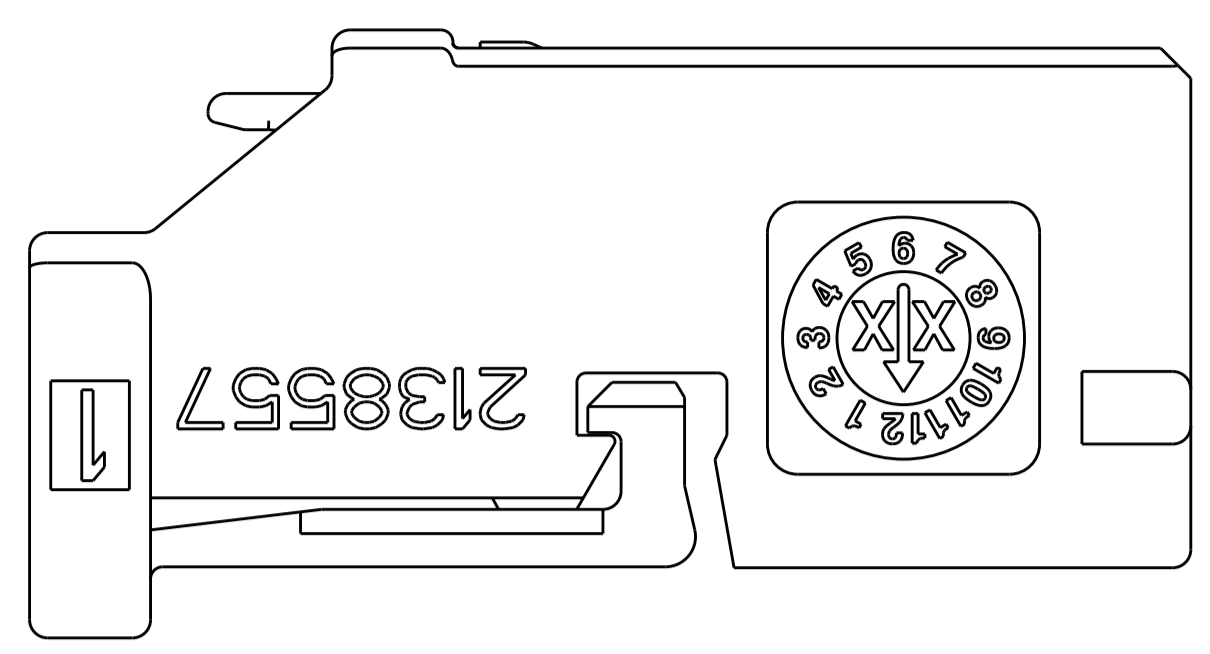
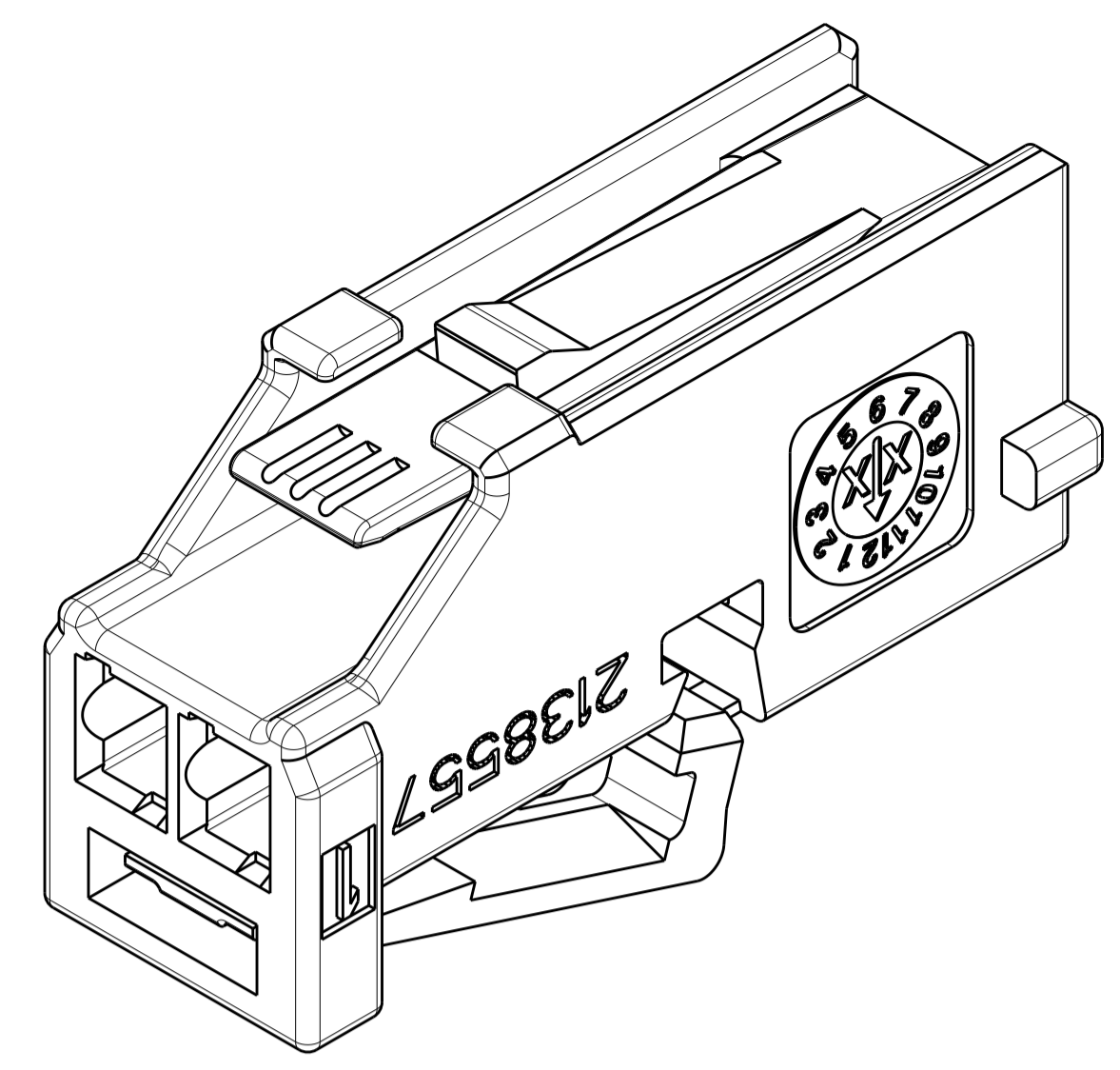
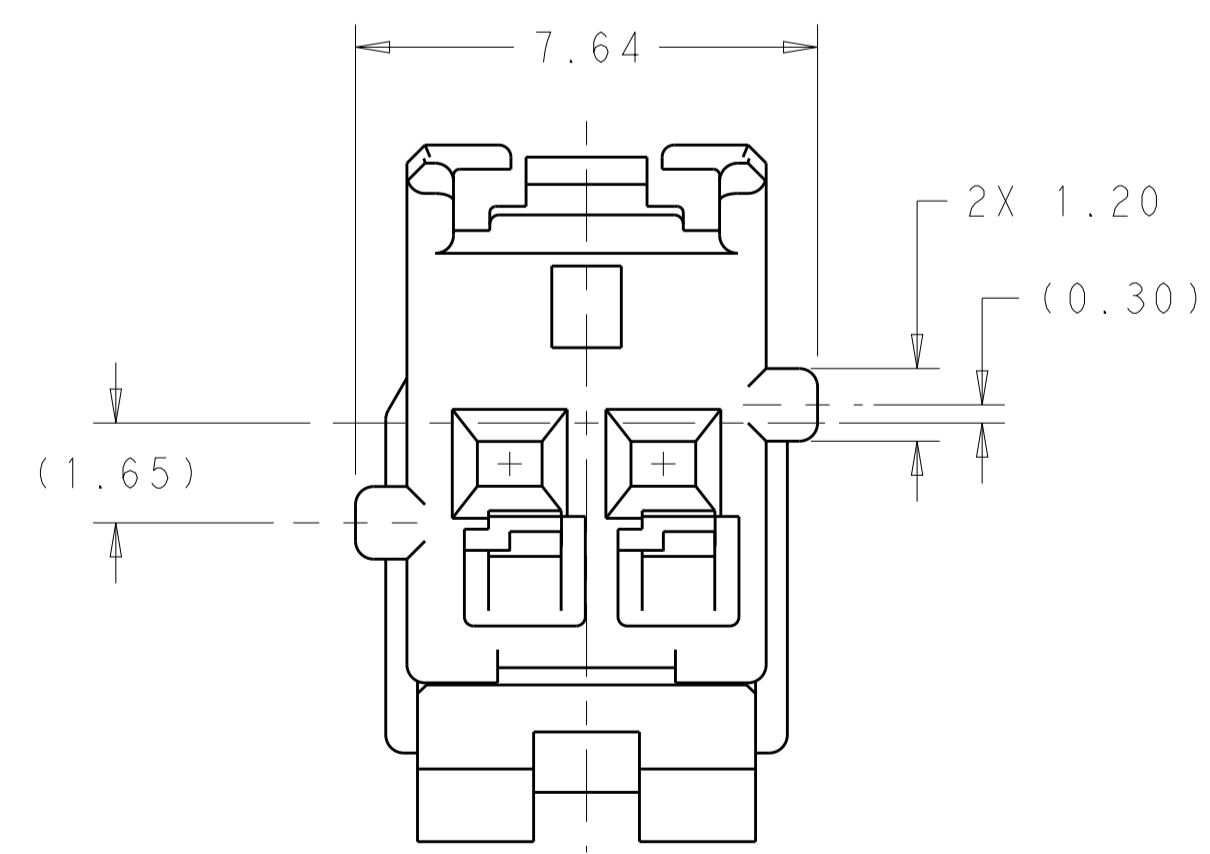
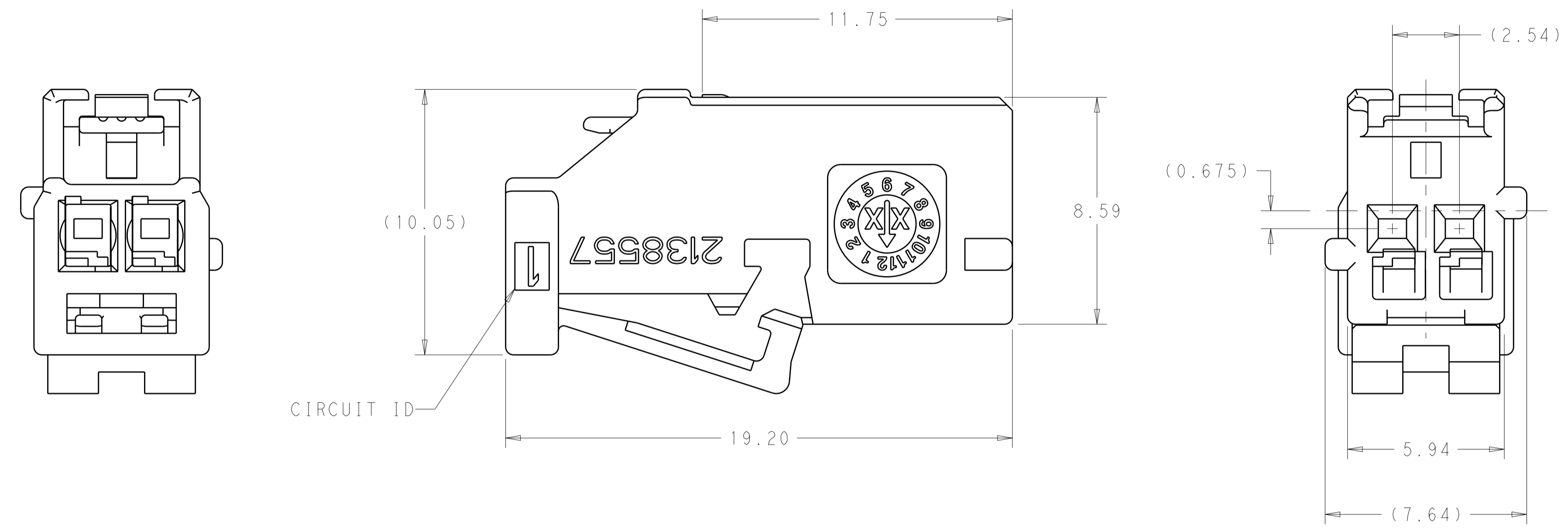


LOC	DIST	REVISIONS					
GE	00	P	LTN	DESCRIPTION	DATE	DWN	APVD
		A		RELEASED PER ECO-13-001134	21JAN2013	MDB	MDB

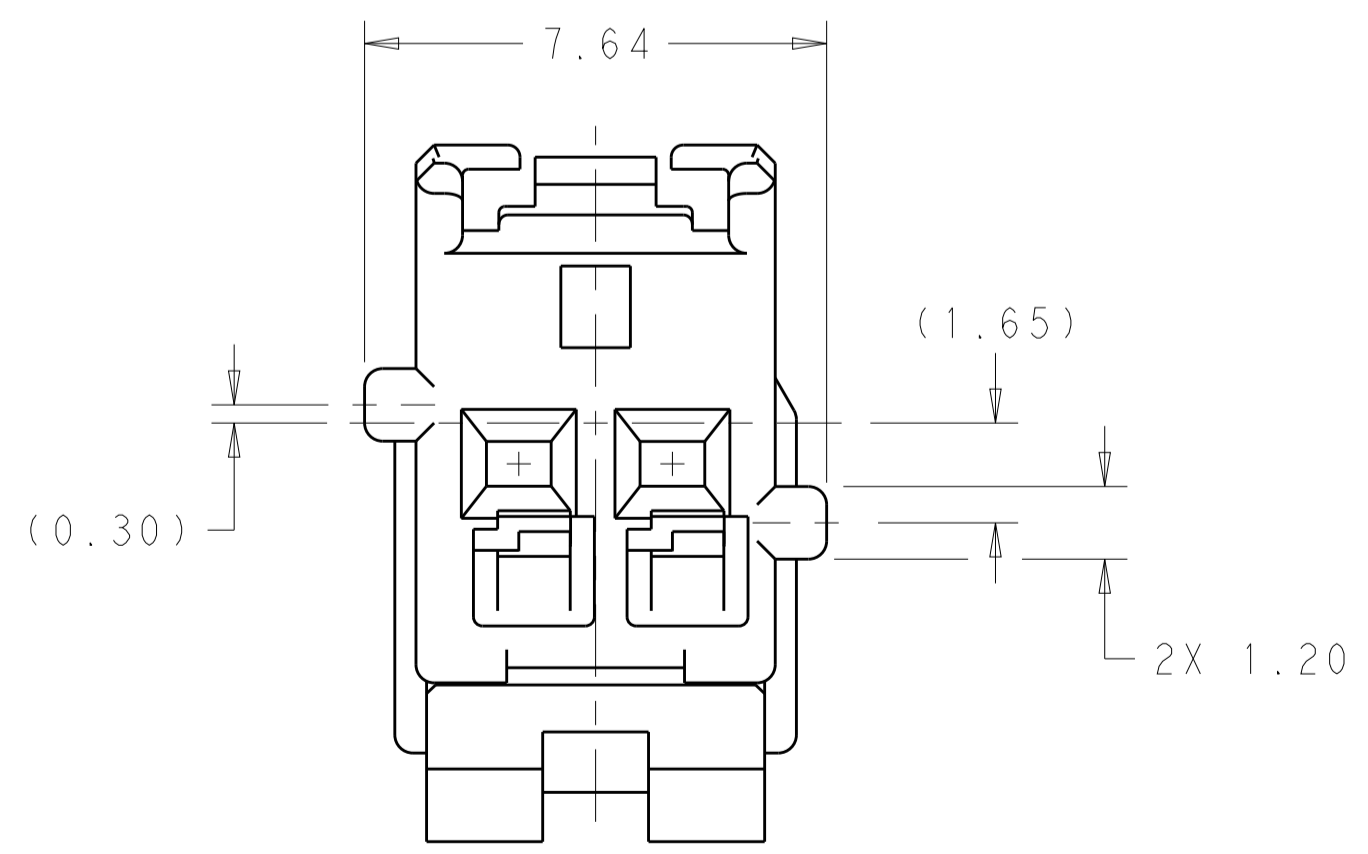


2138557-1 ASSEMBLED VIEW

- ⚠ MATERIAL: PBT, 15% GF.
COLOR : SEE TABLE
- 2. PLUG MATES WITH CAP HOUSING 2138558
- 3. PLUG WILL ACCEPT GENERATION Y RECEPTACLE CONTACTS, DOWNWARD ORIENTATION, ISL-LOCKUP.
- 4. NOTE REMOVED.
- 5. FOR HARNESS ASSEMBLY INSTRUCTIONS, SEE TE SPEC 408-32069.



KEYING OPTION A
2138557-1



KEYING OPTION B
2138557-2

2138557-1 AS SHOWN

GRAY	B	2138557-2
BLACK	A	2138557-1
COLOR	KEYING OPTION	PART NUMBER

THIS DRAWING IS A CONTROLLED DOCUMENT.		DWN: R. WHITAKER 27MAY2011	TE Connectivity SINGLE PIECE PLUG, 2 POSITION, GENERATION Y
DIMENSIONS: mm		CHK: D. BROWN 27MAY2011	
TOLERANCES UNLESS OTHERWISE SPECIFIED:		APVD: D. BROWN 27MAY2011	
0 PLC ± 1 PLC ±0.3 2 PLC ±0.10 3 PLC ± 4 PLC ± ANGLES ±1°		PRODUCT SPEC APPLICATION SPEC SIZE: CAGE CODE DRAWING NO RESTRICTED TO	
MATERIAL: ⚠	FINISH:	WEIGHT:	A100779C=2138557 Customer Drawing SCALE: 8:1 SHEET 1 OF 1 REV A